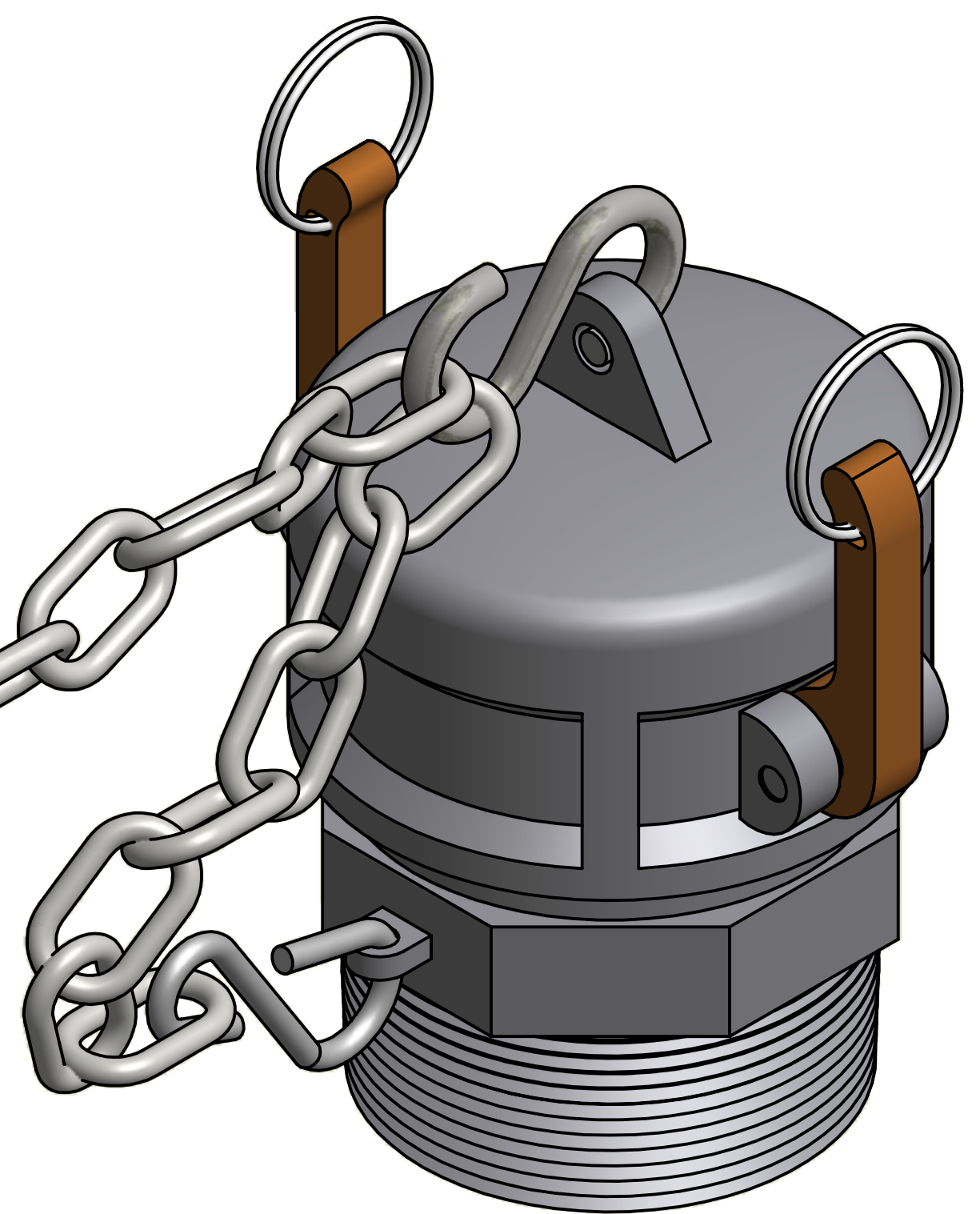
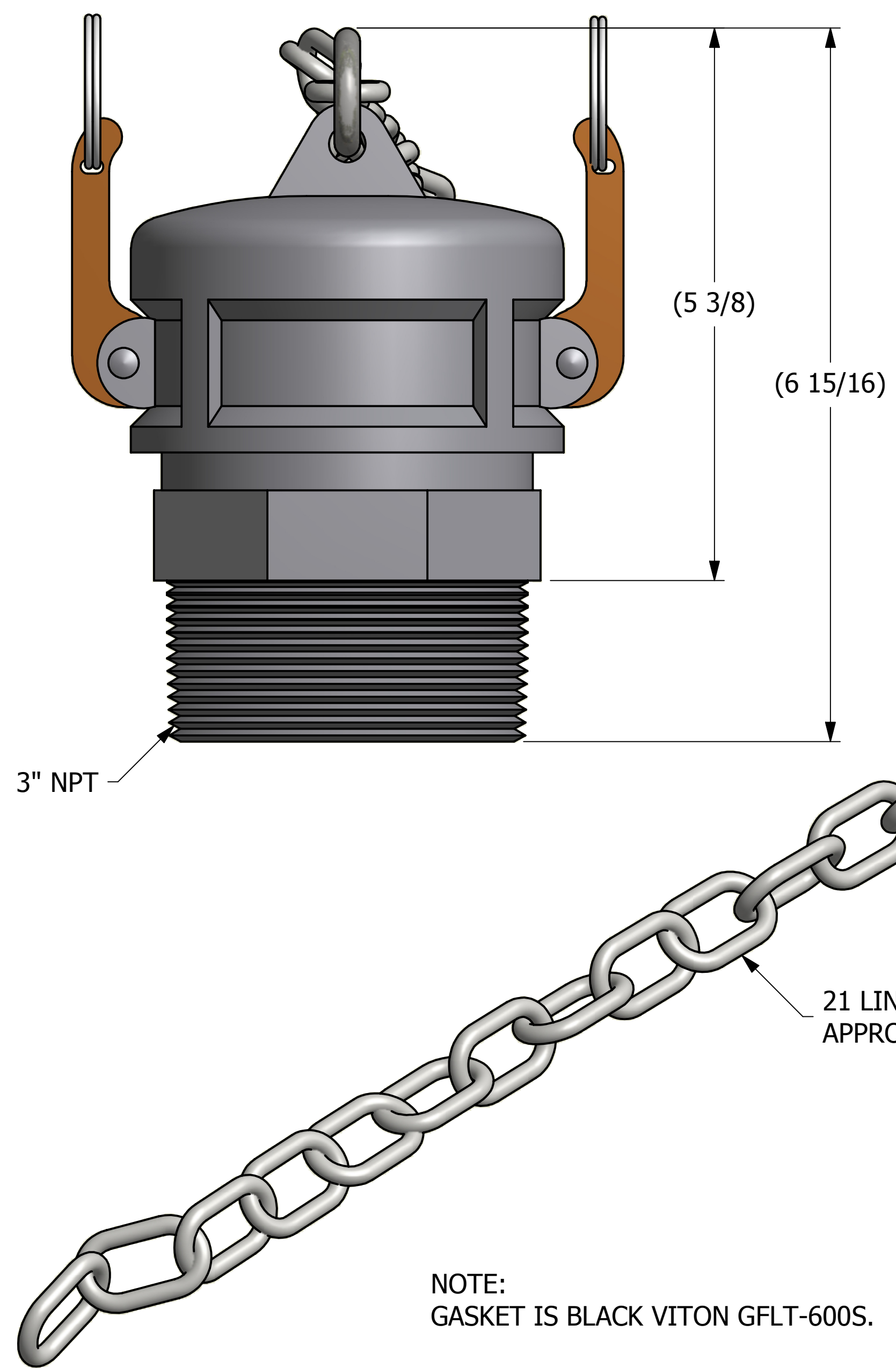


SALES DRAWING

SALES DRAWING



21 LINKS OF 3/16" STAINLESS STEEL CHAIN  
APPROX. 22" IN LENGTH

NOTE:  
GASKET IS BLACK VITON GFLT-600S.

B	RJP	6-12-14	UPDATED K20IDC202A DESIGN	
A	BG	12/5/12	NEW PART ADDED TO THE NETWORK	
REV	BY	DATE	DESCRIPTION	
<b>SALCO PRODUCTS, INC.</b>				
PART NAME: <b>TOP FITTING ASSEMBLY 3" THREAD ON</b>				
MATERIAL: <b>DUCTILE IRON</b>				
PROJECT #: <b>120531</b>		SHEET #: <b>1 OF 1</b>		SCALE: <b>1:1</b>
DRAWING #: <b>C34290</b>		PART #: <b>K30IUIMP202A</b>		

UNLESS OTHERWISE SPECIFIED DIMENSIONAL TOLERANCES FRACTIONAL: $\pm 1/16$ X.XX: $\pm .03$ X.XXX: $\pm .015$ ANGLE: $\pm 1^\circ$ DEBURR ALL SHARP EDGES. ALL MACHINED SURFACES TO HAVE A 125 RMS FINISH UNLESS NOTED OTHERWISE. THIRD ANGLE PROJECTION	DRAWN BY:	GDS
	CHECKED BY:	CHL
	PROTOTYPE BY:	GDS
	PROTOTYPE DATE:	5/31/2012
	APPROVED FOR PRODUCTION BY:	CHL
	PRODUCTION DATE:	12/5/2012

THIS PRINT, PROPERTY OF SALCO PRODUCTS INC., CONTAINS PROPRIETARY INFORMATION AND MUST NOT BE COPIED, REPRODUCED, OR USED DETRIMENTALLY TO OUR INTEREST.